



# Floatless RainBank® (FL) KRB1NF & KRB2NF Set-up Instructions



Davey Water Products Pty Ltd  
Member of the GUD Group  
ABN 18 066 327 517

### AUSTRALIA

**Davey Support Centre**  
6 Lakeview Drive,  
Scoresby, Australia 3179  
Ph: 1300 367 866  
Fax: 1300 369 119  
Website: davey.com.au

### NEW ZEALAND

**Davey Support Centre**  
7 Rockridge Avenue,  
Penrose, Auckland 1061  
Ph: 0800 654 333  
Fax: 09 527 7654  
Website: daveynz.co.nz

© Davey and RainBank are registered trademarks of Davey Water Products Pty Ltd.  
© Davey Water Products Pty Ltd 2014.

P/N 402330



# Save time, save a call back

## IMPORTANT:

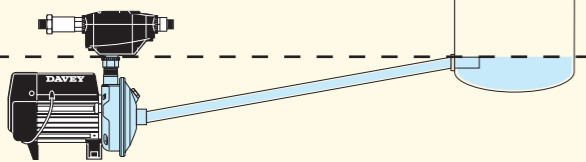
For trouble free function you **MUST** set up your RainBank in accordance with these instructions.

Here is how to get it right... ✓

Make sure the top of the pump is LOWER than the discharge point.

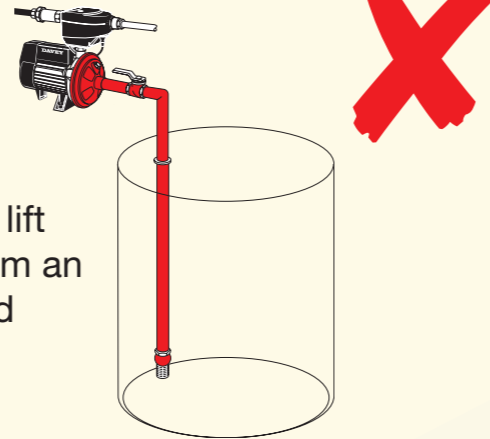
TIP: This is easier if you have your pump and Rainbank close to the tank.

Like this... ↘



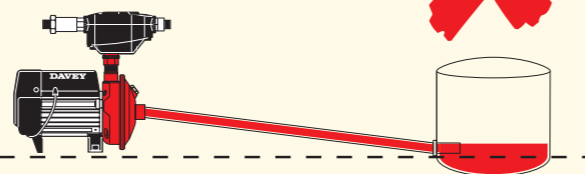
Tank water level is higher than top of the pump.

Not like this... ✗



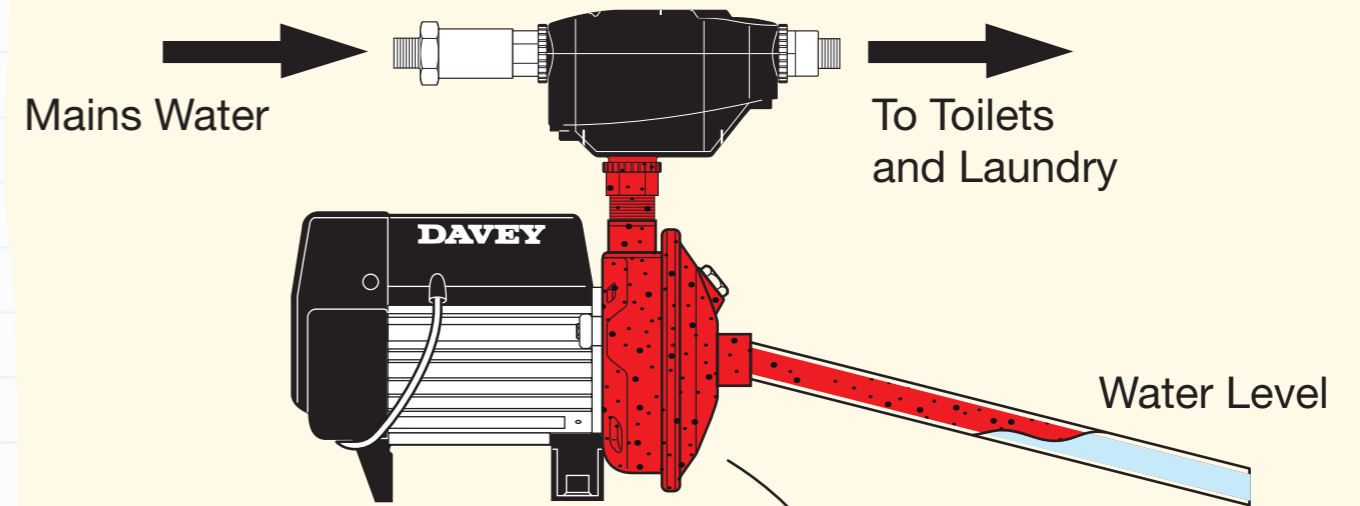
Trying to lift water from an in-ground tank.

Or this... ✗



Pump is higher than the lowest level of the water in the tank.

Why?



Air gets trapped and can't be released. Pump loses prime and cannot pump water until reprimed.

Finally... ↘

If you are encountering issues with your system **how can you fix it?**

1. Modify the installation so that top of the pump is below lowest water level
2. Fit and adjust a Davey Float Switch. (P/N 13961)

Refer to the full installation & operating instructions for advice on how to fit an external float switch.